

PARTS LIST

MX SERIES

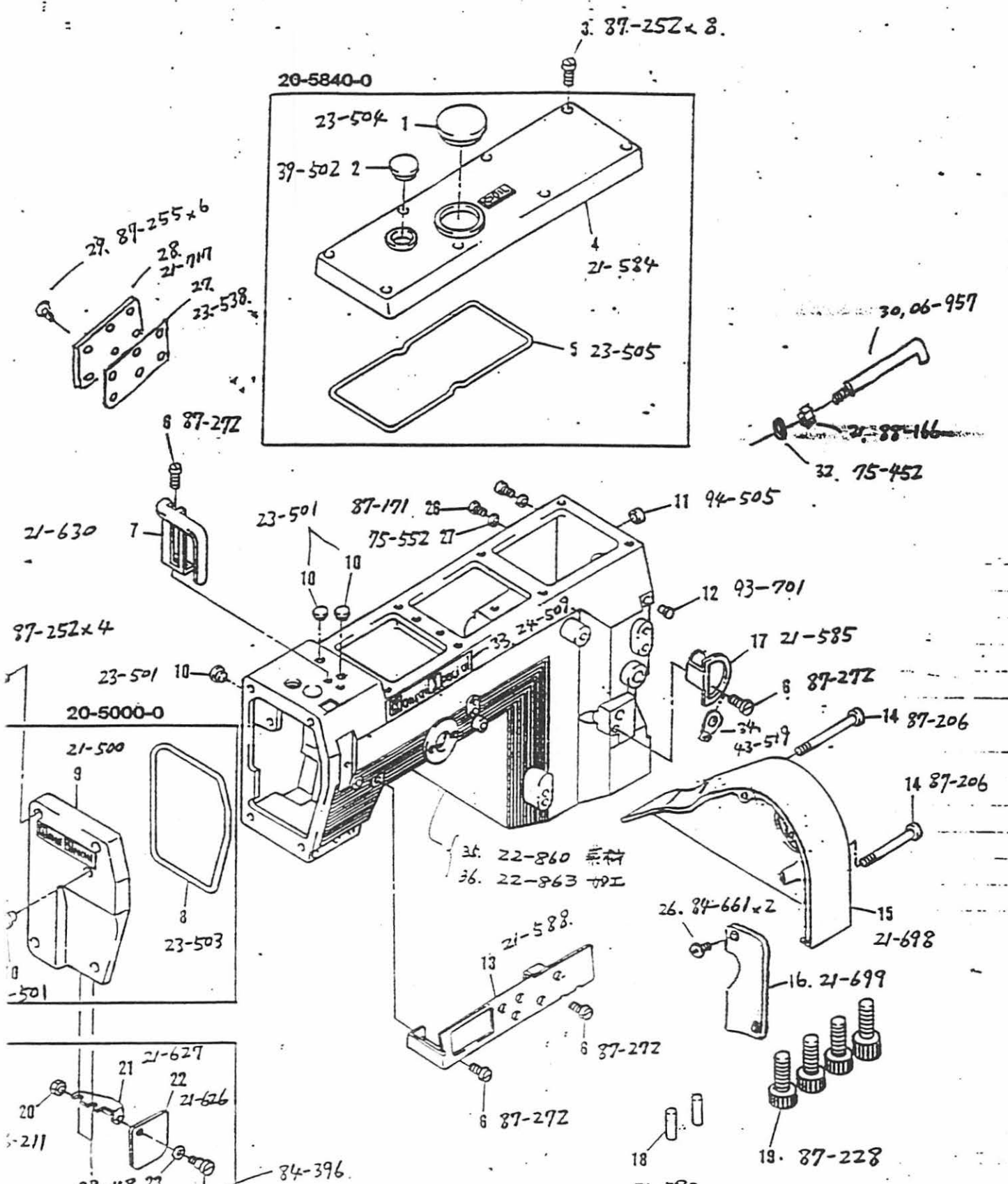
MX-1102A
MX-1103A
MX-1102C
MX-1103C

KANSAI SPECIAL EUROPE GMBH

From the library of: Superior Sewing Machine & Supply LLC

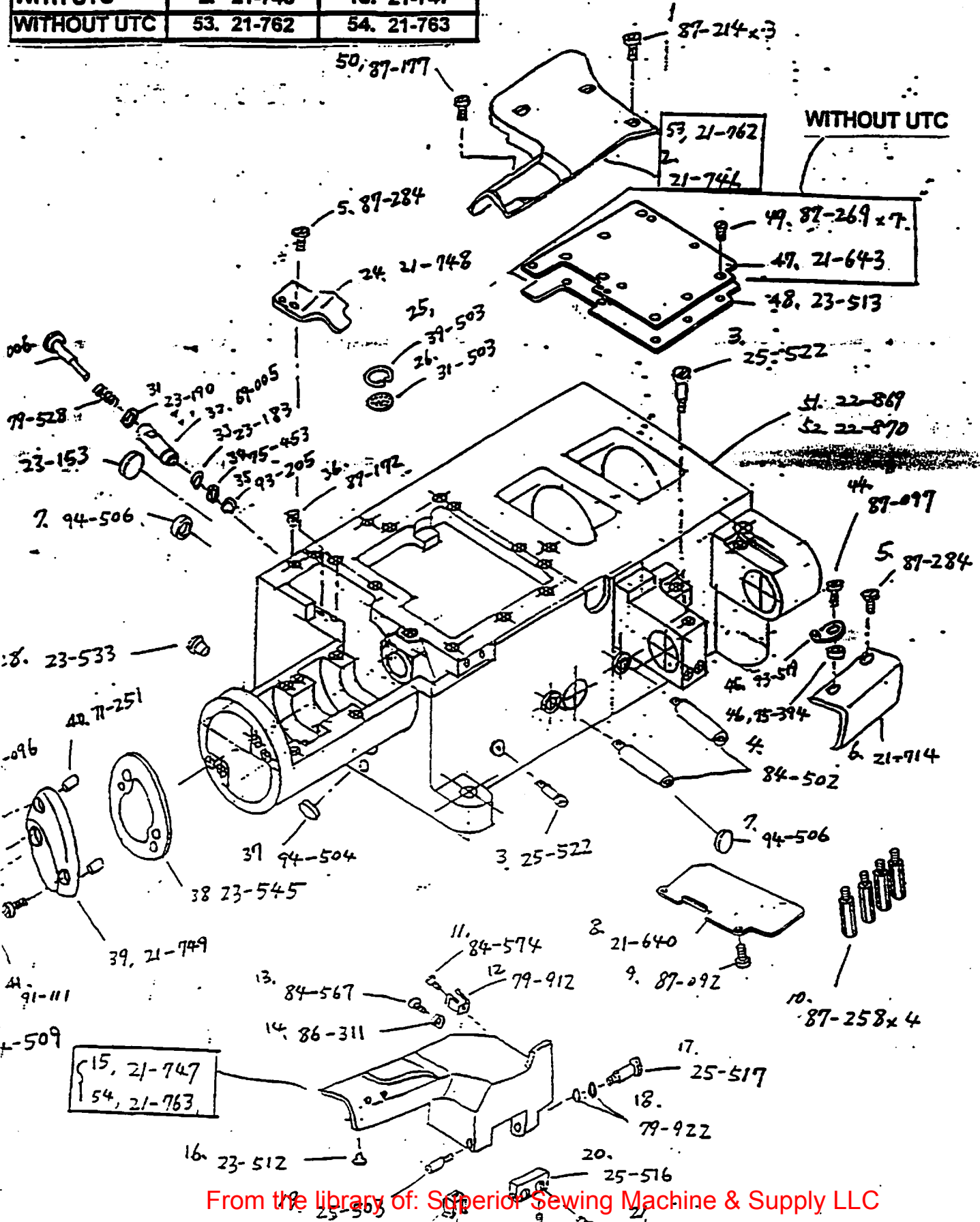
MX PARTS LIST CONTENTS

	PAGE
1) HOUSING COMPONENTS(1)	1
2) HOUSING COMPONENTS(2)	3
3) THREAD EYELET COMPONENTS	5
4) BUSHINGS	7
5) MAIN SHAFT DRIVING MECHANISM	9
6) LOOPER MECHANISM	12
7) FEED ROCKER(1)	14
8) FEED ROCKER(2)	16
9) LOOPER THREAD MECHANISM	18
10) NEEDLE BAR, UPPER SHAFT MECHANISM	20
11) THREAD CONTROL MECHANISM	22
12) SPREADER MECHANISM	24
13) FOOT LIFTER MECHANISM	26
14) OIL LUBRICATION APPARATUS(1)	28
15) OIL LUBRICATION APPARATUS(2)	30
16) GAUGE	32

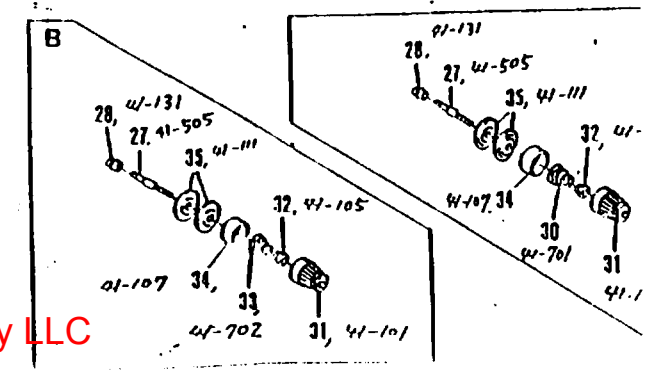
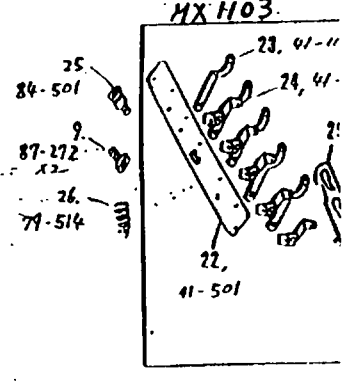
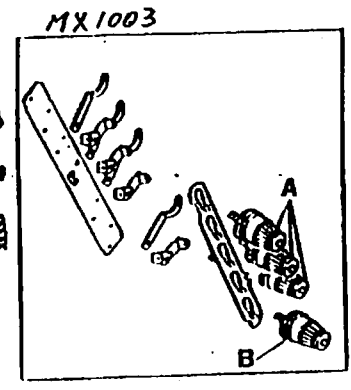
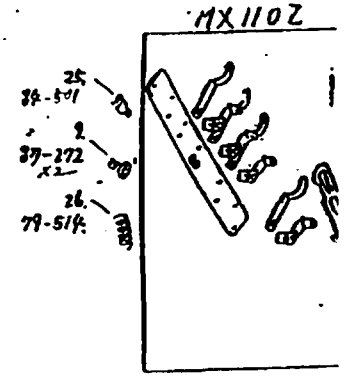
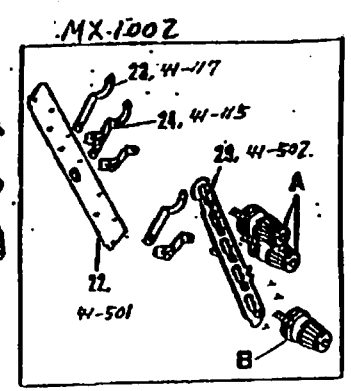
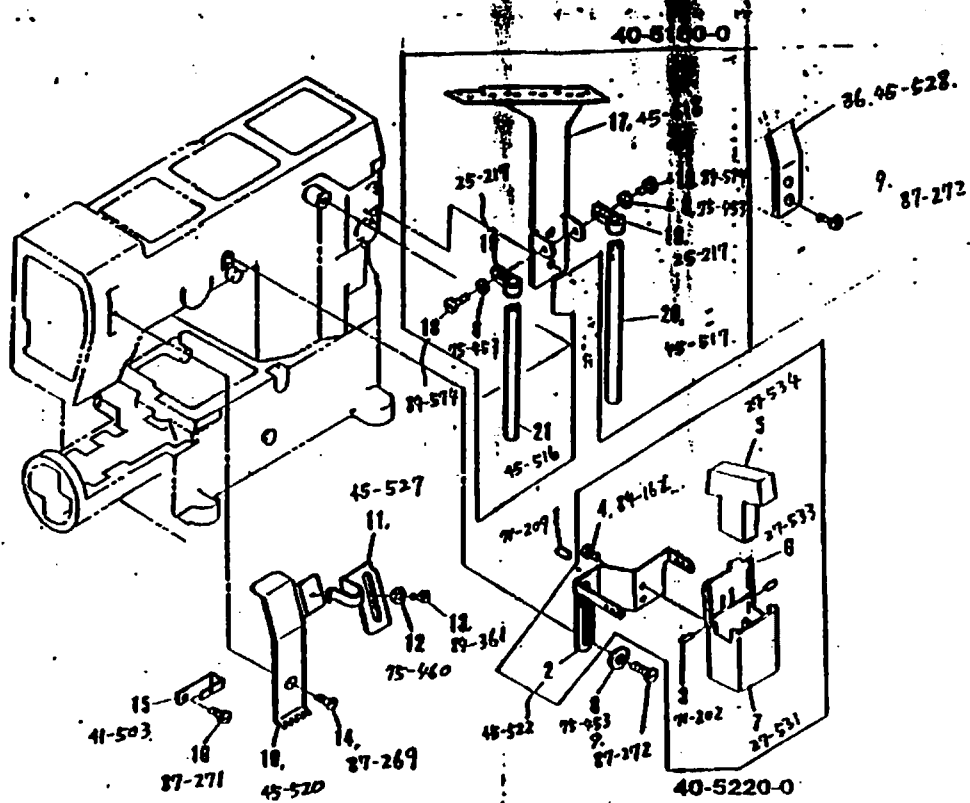


<u>NO.</u>	<u>PART NO.</u>	<u>PART NAME</u>	<u>QTY</u>
1	23-504	TOP COVER SEAL PLUG	1
2	39-502	OIL SIGHT WINDOW	1
3	87-252	SCREW	12
4	21-584	TOP COVER	1
5	23-505	O-RING	1
6	87-272	SCREW	5
7	21-630	NEEDLE BAR COVER B	1
8	23-503	O-RING	1
9	21-500	HEAD COVER	1
10	23-501	HEAD COVER SEAL PLUG	4
11	94-505	SEAL PLUG	1
12	93-701	RIVET	1
13	21-588	NEEDLE THREAD COVER	1
14	87-206	SCREW	2
15	21-698	PULLY COVER	1
16	21-699	PULLY COVER PLATE	1
17	21-585	THREAD TAKE UP COVER	1
18	71-580	PIN	2
19	87-228	SCREW	4
20	86-211	NUT	1
21	21-627	SAFETY PLATE SUPPORT	1
22	21-626	SAFETY PLATE	1
23	02-118	WAVE WASHER	1
24	84-396	SCREW	1
25	84-412	SCREW	2
26	84-661	SCREW	2
27	23-538	REAR COVER GASKET	1
28	21-717	REAR COVER	1
29	87-255	SCREW	6
30	06-957	NEEDLE POSITIONER HOLD SCREW	1
31	88-166	NUT	1
32	75-452	WASHER	1
33	24-509	KS PLATE	1
34	43-519	THREAD EYELET	1

	CLOTH PLATE	FRONT COVER
WITH UTC	2. 21-746	15. 21-747
WITHOUT UTC	53. 21-762	54. 21-763

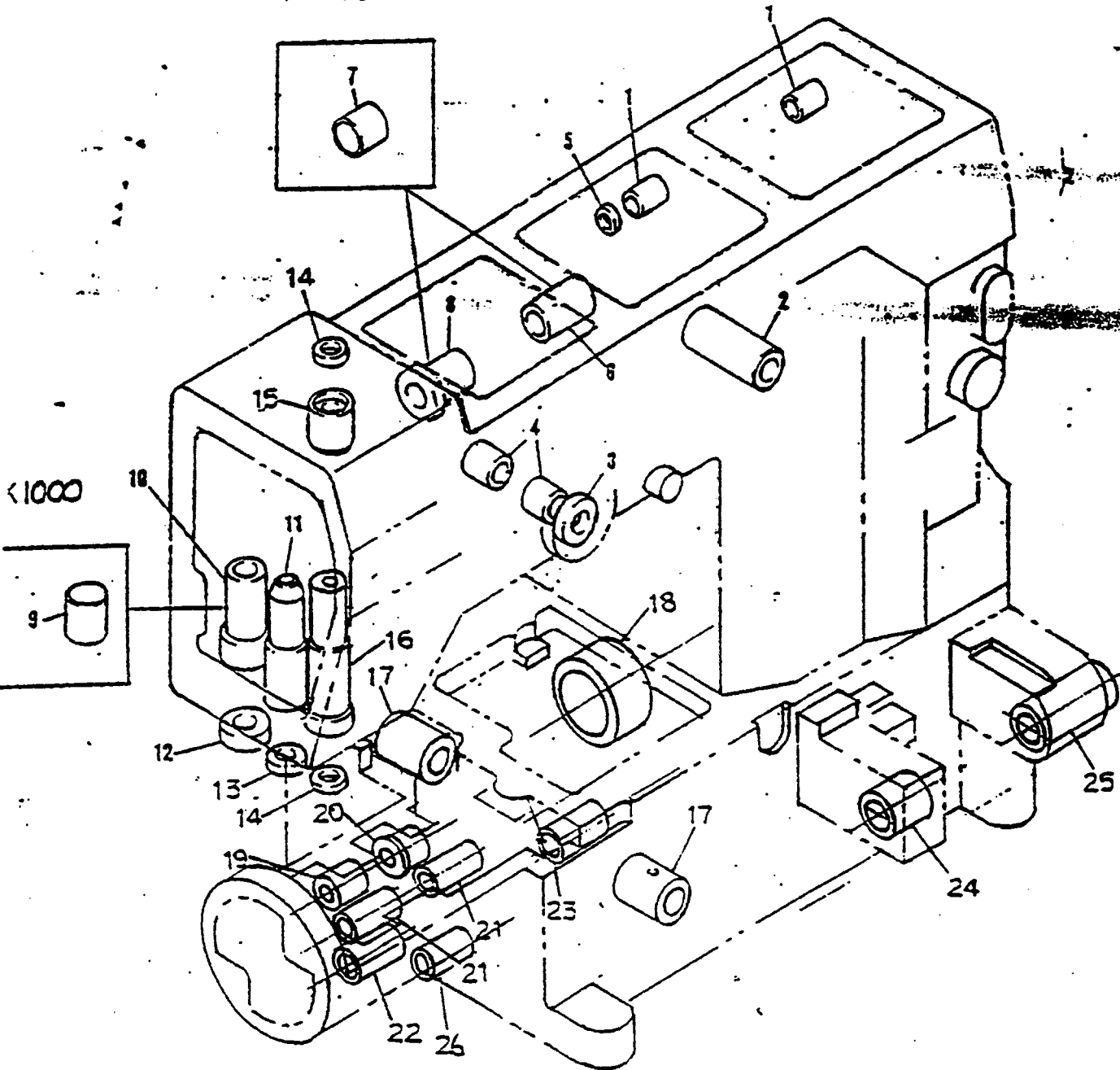


<u>NO.</u>	<u>PART NO.</u>	<u>PART NAME</u>	<u>QTY</u>
1	87-214	SCREW	3
2	21-746	CLOTH PLATE (UTC)	1
3	25-522	SCREW	2
4	84-502	HINGE BASE SCREW	2
5	87-284	SCREW	3
6	21-714	TAKE-UP SHAFT COVER	1
7	94-506	SEAL	2
8	21-640	PLATE	1
9	87-092	SCREW	3
10	87-258	PIN	4
11	84-574	SCREW	2
12	79-912	COVER LATCH SPRING	2
13	84-567	SCREW	1
14	86-311	NUT	1
15	21-747	FRONT COVER(UTC)	1
16	23-512	CUSHION RUBBER	1
17	25-517	SCREW	1
18	79-922	CONICAL SPRING WASHER	2
19	25-503	SCREW	1
20	25-516	FRONT COVER HINGE	1
21	84-579	SCREW	2
22	87-286	SCREW	1
23	84-159	SCREW	1
24	21-748	OIL DEFENDER	1
25	39-503	OIL FILTER SCREEN CLAMP	1
26	31-503	OIL FILTER SCREEN	1
27	23-153	SEAL FRONT	1
28	23-533	SEAL PLUG	1
29	69-006	PUSH BUTTON	1
30	79-528	PUSH BUTTON SPRING	1
31	23-190	O-RING	1
32	69-005	PUSH BUTTON HOUSING	1
33	23-183	O-RING	1
34	75-453	WASHER	1
35	93-205	E-RING	1
36	87-172	SCREW	1
37	94-504	SEAL PLUG	1
38	23-545	SIDE COVER GASKET	1
39	21-749	SIDE COVER	1
40	71-251	PIN	2
41	91-111	BEARING	1
42	87-096	SCREW	2
43	94-509	SEAL PLUG	1
44	87-097	SCREW	1
45	43-519	THREAD EYELET	1
46	75-394	WASHER	1
47	21-643	CRANK CHAMBER COVER	1
48	23-513	CRANK CHAMBER COVER GASKET	1
49	87-269	SCREW	7
50	87-177	SCREW	1
51	22-869	CASTING	1
52	22-870	CASTING	1

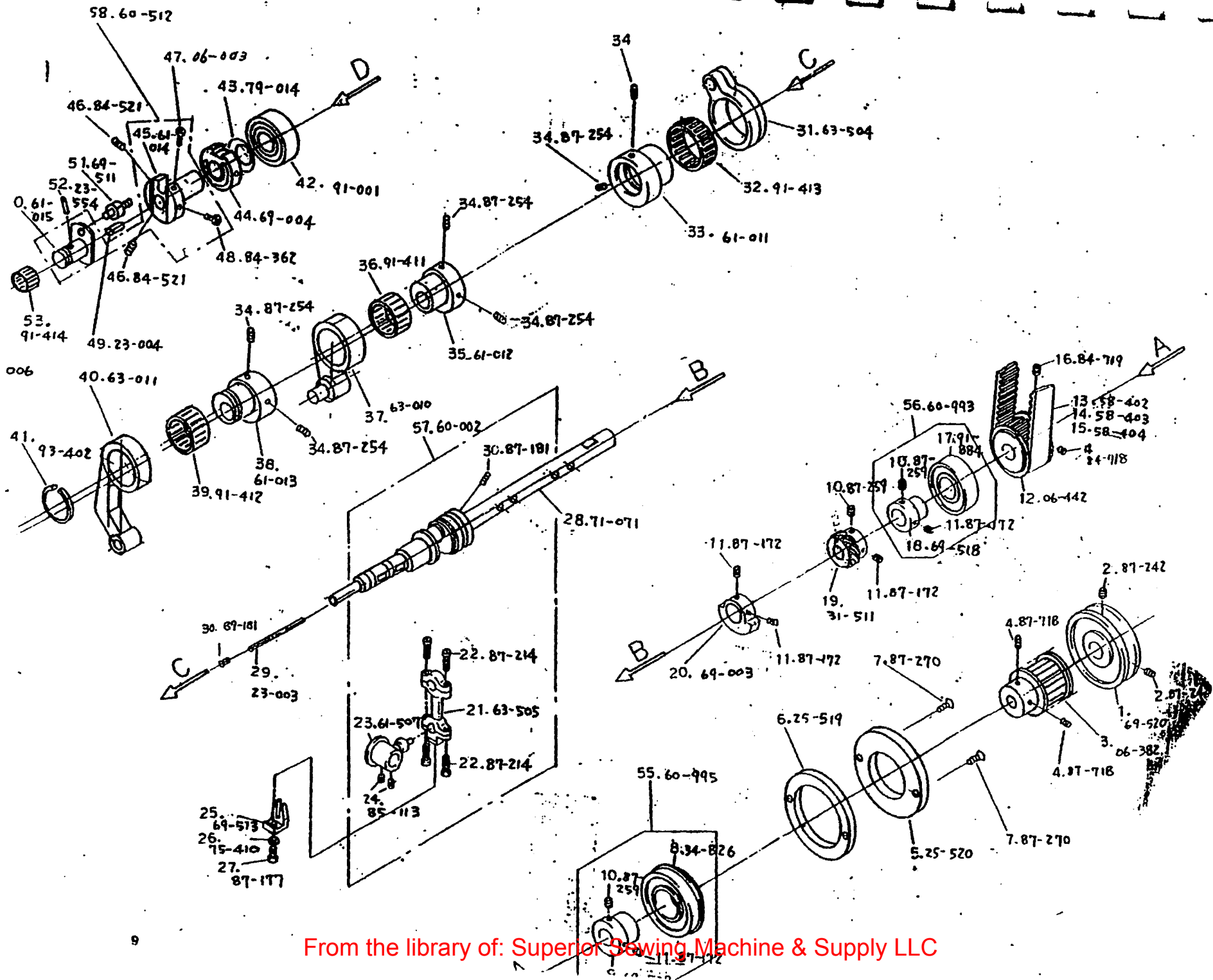


<u>NO.</u>	<u>PART NO.</u>	<u>PART NAME</u>	<u>QTY</u>
1	71-209	PIN	1
2	45-522	NEEDLE THREAD EYELET	1
3	71-202	PIN	2
4	84-162	SCREW	2
5	27-534	FELT	1
6	27-533	SILICON TANK-LID	1
7	27-531	SILICON TANK	1
8	75-453	WASHER	3
9	87-272	SCREW	5
10	45-520	THREAD EYELET	1
11	45-527	THREAD EYELET	1
12	75-460	WASHER	1
13	84-361	SCREW	1
14	87-269	SCREW	1
15	41-503	NEEDLE THREAD RETAINER SUPPORT	1
16	87-271	SCREW	1
17	45-518	THREAD GUIDE PLATE	1
18	84-574	SCREW	2
19	25-217	THREAD EYELET PIPE STAY	2
20	45-517	THREAD EYELET PIPE	1
21	45-516	THREAD EYELET PIPE	1
22	41-501	BRACKET	1
23	41-117	THREAD READIN GUIDE	5
24	41-115	TENSION DISK EYELET	5
25	84-501	SCREW	1
26	79-514	SPRING	1
27	41-505	TENSION POST	5
28	41-131	TENSION POST FERRULE	5
29	41-502	TENSION DISK SEPARATER	1
30	41-701	NEEDLE THREAD TENSION SPRING	3
31	41-101	THREAD TENSION SPRING CAP	5
32	41-105	TENSION RATCHET	5
33	41-702	LOOPER THREAD TENSION SPRING	2
34	41-107	THREAD TENSION SPRING RETAINER	5
35	41-111	TENSION DISK	10
36	45-528	SUPPORT PLATE	1

MX1000

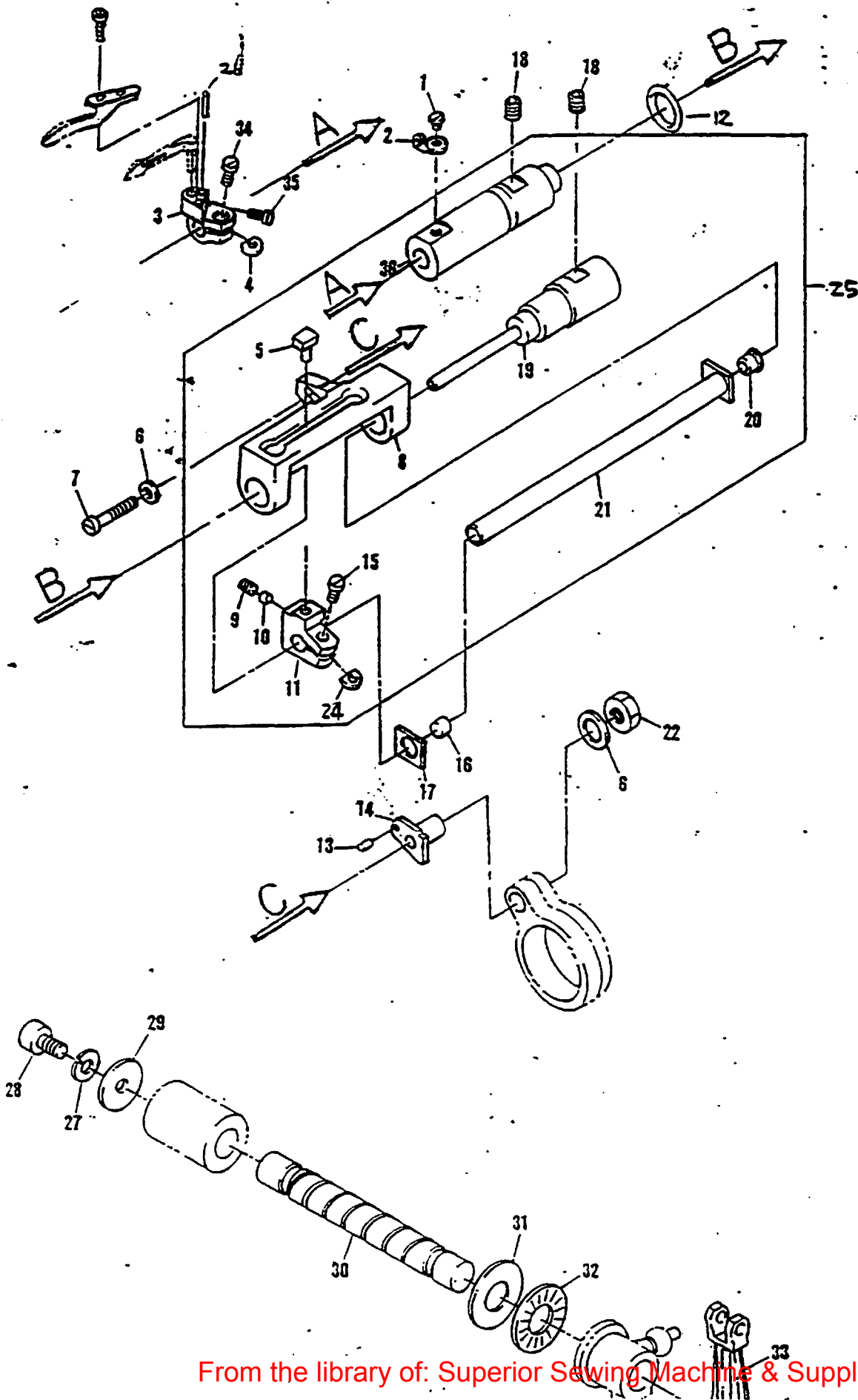


<u>NO.</u>	<u>PART NO.</u>	<u>PART NAME</u>	<u>QTY</u>
1	81-531	BUSHING	2
2	81-505	BUSHING	1
3	94-804	OIL SEAL	1
4	81-506	BUSHING	2
5	94-231	SHAFT SEAL	1
6	81-508	BUSHING	1
7	25-507	PLUG	1
8	81-507	BUSHING	1
9	25-506	PLUG	1
10	81-510	BUSHING	1
11	81-509	BUSHING	1
12	94-221	SHAFT SEAL	1
13	94-503	OIL SEAL	1
14	94-805	OIL SEAL	2
15	81-532	BUSHING	1
16	81-534	BUSHING	1
17	81-517	BUSHING	2
18	81-565	BUSHING	1
19	81-566	BUSHING	1
20	81-567	BUSHING	1
21	81-568	BUSHING	2
22	81-506	BUSHING	1
23	81-569	BUSHING	1
24	81-556	BUSHING	1
25	81-557	BUSHING	1
26	81-570	BUSHING	1

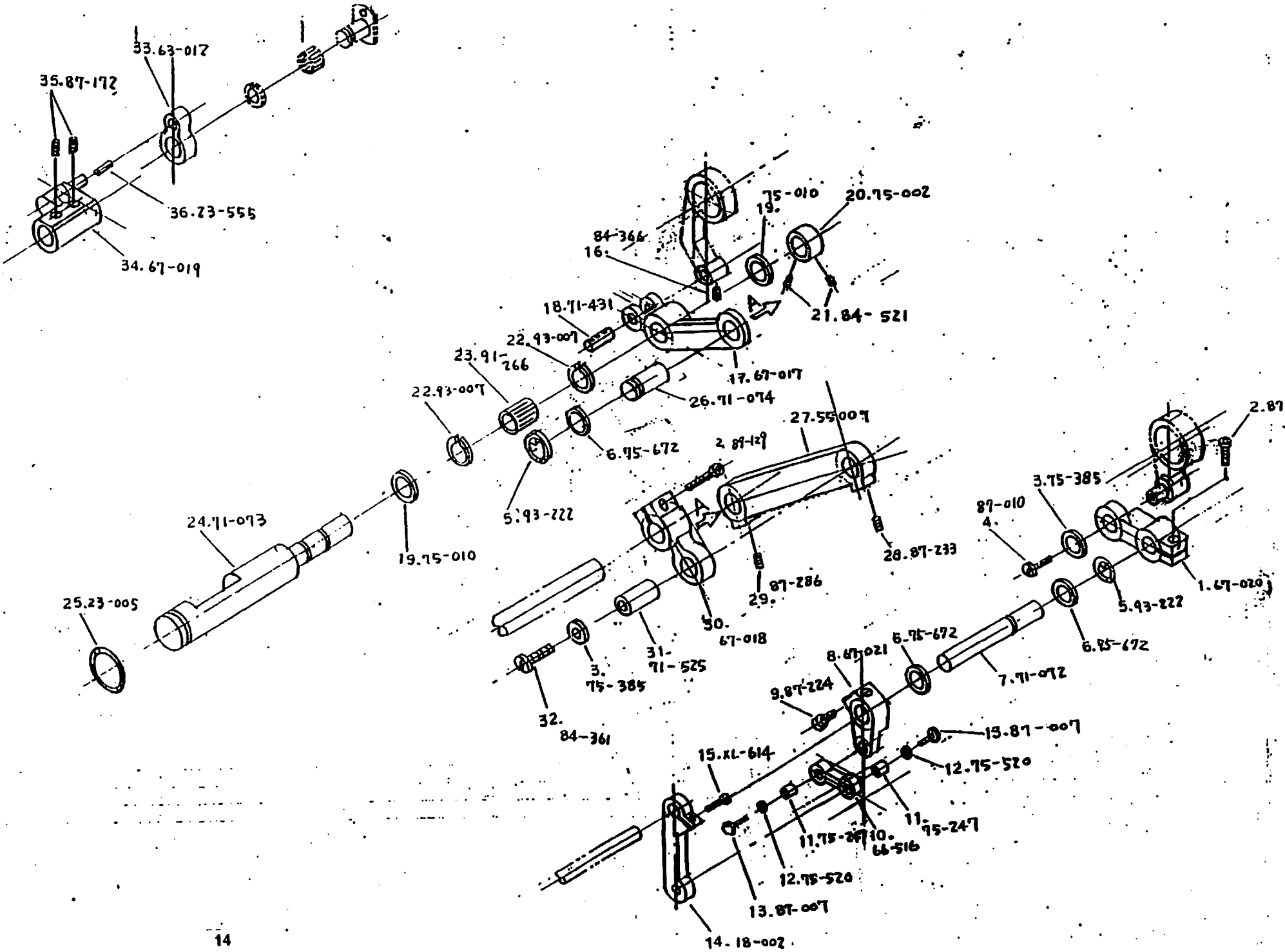


<u>NO.</u>	<u>PART NO.</u>	<u>PART NAME</u>	<u>QTY</u>
1	69-520	V-PULLY	1
2	87-242	SCREW	2
3	06-382	TIMING PULLY	1
4	84-718	SCREW	3
5	25-520	SET PLATE FOR BEARING	1
6	25-519	SET PLATE FOR BEARING	1
7	87-270	SCREW	2
8	34-826	BALL BEARING	1
9	69-529	BEARING SLEEVES	1
10	87-259	SCREW	3
11	87-172	SCREW	5
12	06-442	TIMING PULLY	1
13	58-402	TIMING BELT(L)	1
14	58-403	TIMING BELT(M)	1
15	58-404	TIMING BELT(S)	1
16	84-719	SCREW	1
17	91-884	BALL BEARING	1
18	69-518	BEARING SLEEVES	1
19	31-511	OIL PUMP DRIVING WORM	1
20	69-003	COUNTER SLEEVES	1
21	63-505	ROD	1
22	87-214	SCREW	4
23	61-507	CRANK BODY	1
24	85-113	SCREW	2
25	69-513	GUIDE	1
26	75-410	WASHER	1
27	87-177	SCREW	1
28	71-071	CRANK SHAFT	1
29	23-003	FELT	1
30	87-181	SCREW	2
31	63-504	LOOPER ROCKER CONNECTING ROD	1
32	91-413	ROLLER BEARING	1
33	61-001	LOOPER ROCKER REGULATING ECCENTRIC	1
34	87-254	SCREW	6
35	61-012	ECCENTRIC	1
36	91-411	ROLLER BEARING	1
37	63-010		1
38	61-013	FEED ECCENTRIC	1
39	91-412	ROLLER BEARING	1
40	63-011	CONNECTING ROD	1
41	93-402	SNAP RING	1
42	91-001	BEARING	1
43	79-014		1
44	69-004	ECCENTRIC CAM	1
45	61-014		1
46	84-521	SCREW	2
47	06-003	SCREW	1
48	84-362	SCREW	1
49	23-004	FELT	1
50	61-015	ECCENTRIC	1

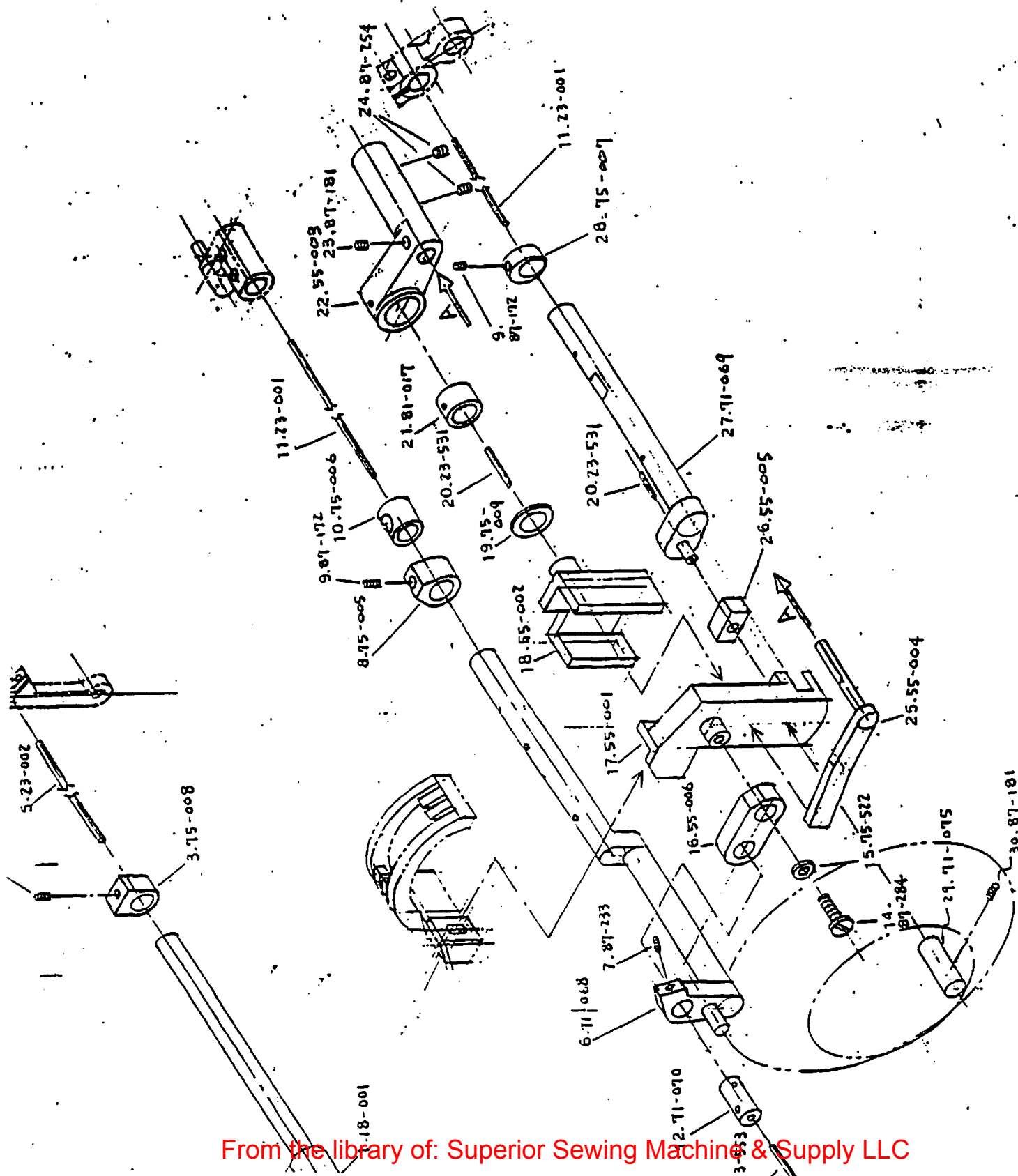
<u>NO.</u>	<u>PART NO.</u>	<u>PART NAME</u>	<u>QTY</u>
51	69-511	PIN	1
52	23-554	FELT	1
53	91-414	ROLLER BEARING	1
54	93-006	SNAP RING	1
55	60-995	BEARING SET	1
56	60-993	BEARING SET	1
57	60-002	LOOPER CRANK SET	1
58	60-512	FEED ECCENTRIC SET	1



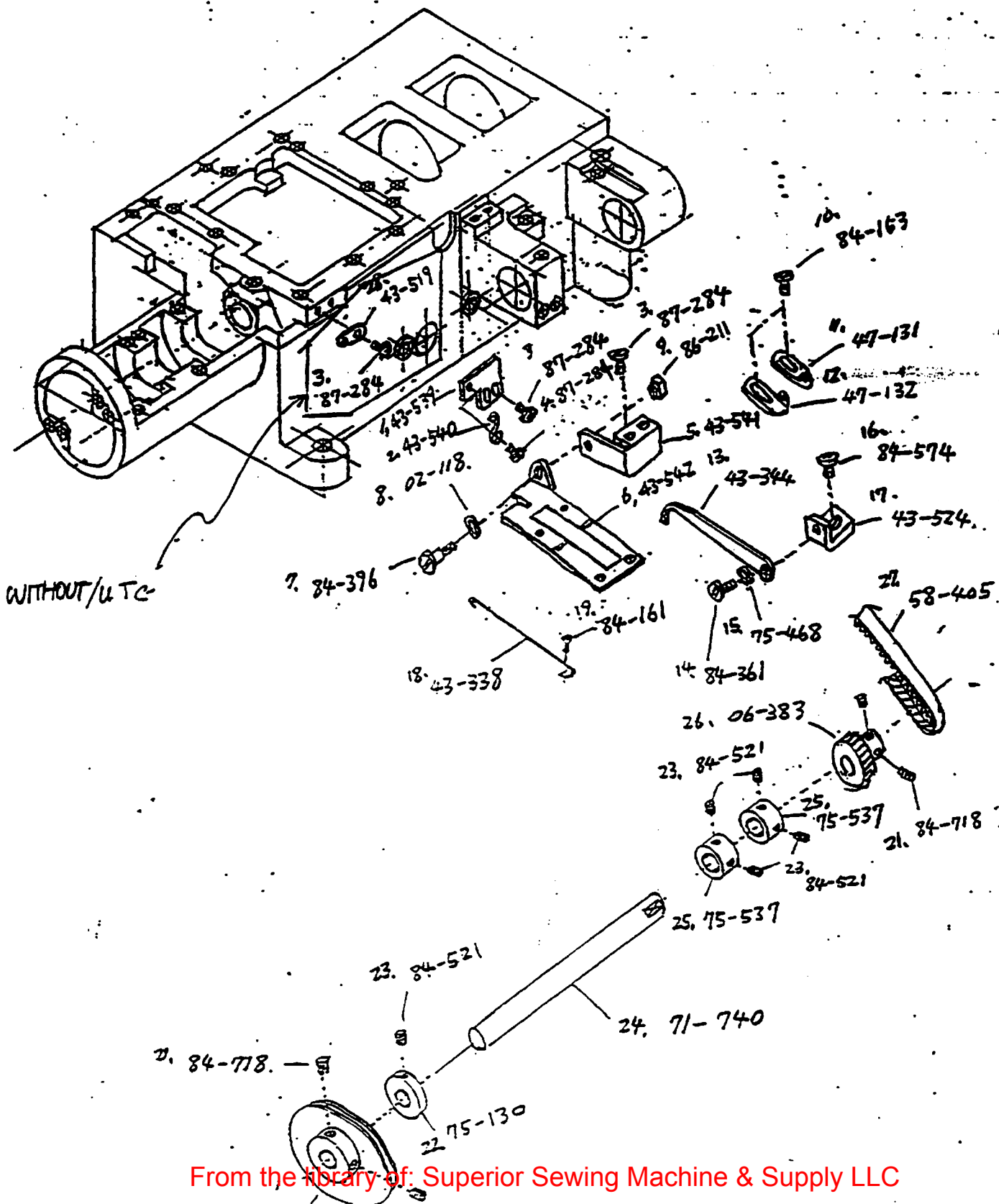
<u>NO.</u>	<u>PART NO.</u>	<u>PART NAME</u>	<u>QTY</u>
1	84-163	SCREW	1
2	47-301	LOOPER THREAD EYELET	1
3	19-001	LOOPER HOLDER	1
4	06-375	SPACER	1
5	19-507	SLIDER	1
6	75-467	WASHER	1
7	84-589	SCREW	1
8	19-506	LOOPER BAR GUIDE	1
9	84-521	SCREW	1
10	19-509	SLIDER PRESSER	1
11	19-508	SLIDER HOLDER	1
12	23-197	O-RING	1
13	93-717	ROLL-PIN	1
14	71-538	PIN	1
15	84-363	SCREW	1
16	23-515	SEAL PLUG	1
17	75-513	THRUST WASHER	1
18	87-172	SCREW	2
19	71-532	LOOPER BAR GUIDE SHAFT	1
20	81-520	GUIDE SHAFT BUSHING	1
21	71-535	LOOPER BAR	1
22	86-312	NUT	1
23	87-171	SCREW	1
24	75-514	SPACER	1
25	10-502	LOOPER DRIVING SET	1
26	71-212	PIN	1
27	75-527	WASHER	1
28	87-203	SCREW	1
29	75-515	WASHER	1
30	71-539	LOOPER DRIVING SHAFT	1
31	75-901	THRUST PLATE	1
32	92-233	THRUST ROLLER BEARING	1
33	67-505	LOOPER ROCKER ARM	1
34	87-113	SCREW	1
35	87-181	SCREW	1
36	81-571	LOOPER BAR BUSHING	1



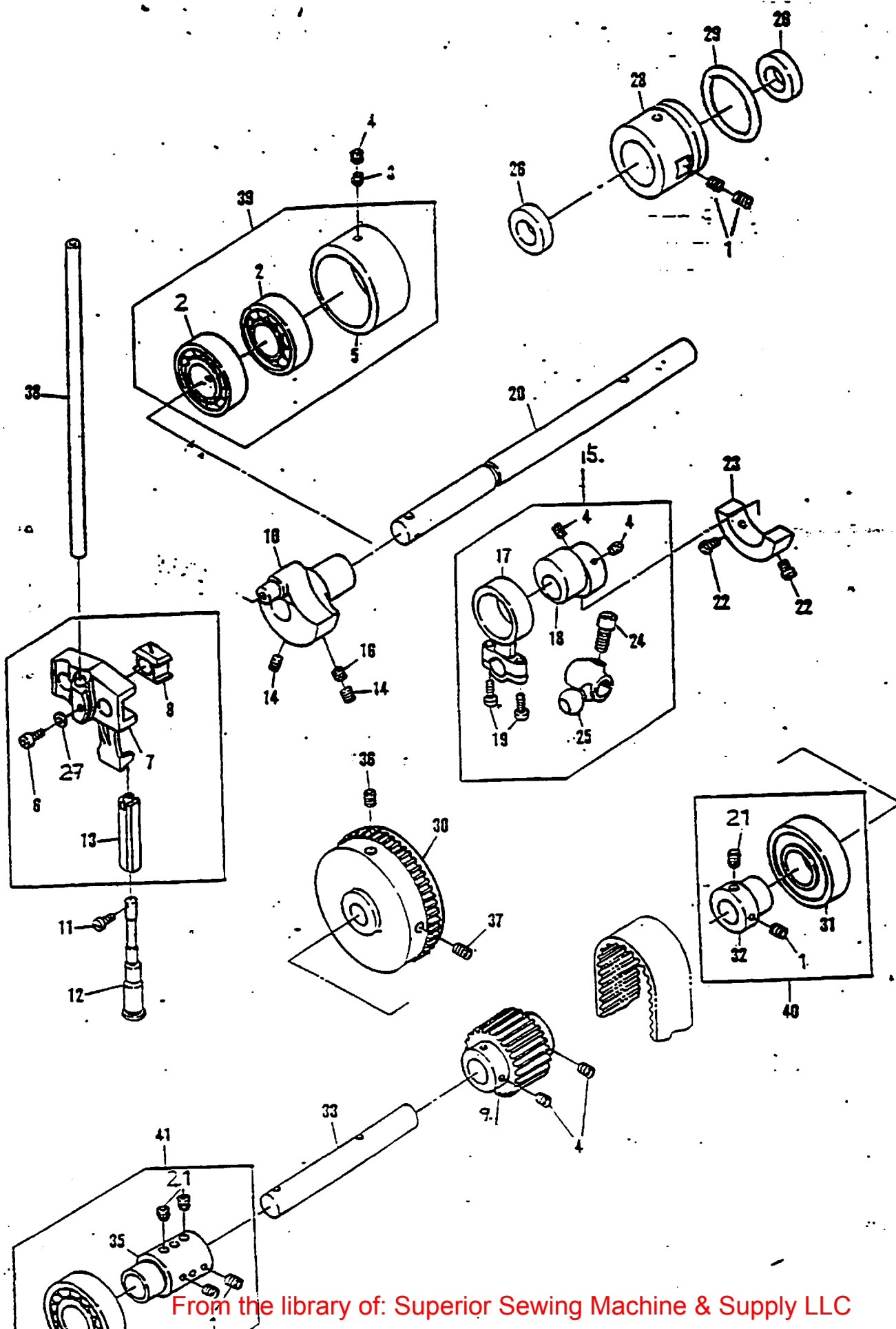
<u>NO.</u>	<u>PART NO.</u>	<u>PART NAME</u>	<u>QTY</u>
1	67-020	NEEDLE GUARD LEVER	1
2	87-129	SCREW	2
3	75-386	WASHER	2
4	87-010	SCREW	1
5	93-222	E-RING	2
6	75-672	WASHER	3
7	71-072	SHAFT	1
8	67-021	NEEDLE GUARD LEVER	1
9	87-224	SCREW	1
10	66-516	LINK	1
11	75-247	COLLAR	2
12	75-520	WASHER	2
13	87-007	SCREW	2
14	18-002	NEEDLE GUARD DRIVING LEVER	1
15	87-011	SCREW	1
16	84-366	SCREW	1
17	67-017		1
18	71-431	PIN	1
19	75-010	WASHER	2
20	75-002	COLLAR	1
21	84-521	SCREW	2
22	93-007	SNAP RING	2
23	91-266	BEARING	1
24	71-073		1
25	23-005	O-RING	1
26	71-074	PIN	1
27	55-007	FEED LINK	1
28	87-233	SCREW	1
29	87-286	SCREW	1
30	67-018	FEED LEVER	1
31	71-525	PIN	1
32	84-361	SCREW	1
33	63-012		1
34	67-019	FEED LEVER	1
35	87-172	SCREW	2
36	23-555	FELT	1



<u>NO.</u>	<u>PART NO.</u>	<u>PART NAME</u>	<u>QTY</u>
1	18-001	BRACKET	1
2	87-090	SCREW	1
3	75-008	COLLAR	1
4	87-286	SCREW	1
5	23-002	FELT	1
6	71-068	FEED SHAFT	1
7	87-233	SCREW	1
8	75-005	COLLAR	1
9	87-172	SCREW	2
10	75-006	COLLAR	1
11	23-001	FELT	2
12	71-070	PIN	1
13	23-553	FELT	1
14	87-284	SCREW	1
15	75-522	WASHER	1
16	55-006	CONNECTING LINK	1
17	55-001	FEED ROCKER	1
18	55-002	FEED ROCKER HOLDER	1
19	75-009	WASHER	1
20	23-531	FELT	2
21	81-017	BUSHING	1
22	55-003	FEED ROCKER GUIDE	1
23	87-181	SCREW	1
24	87-254	SCREW	2
25	55-004	FEED ROCKER GUIDE	1
26	55-005	GUIDE BLOCK	1
27	71-069	FEED LIFT SHAFT	1
28	75-007	COLLAR	1
29	71-075	PIN	1
30	87-181	SCREW	1

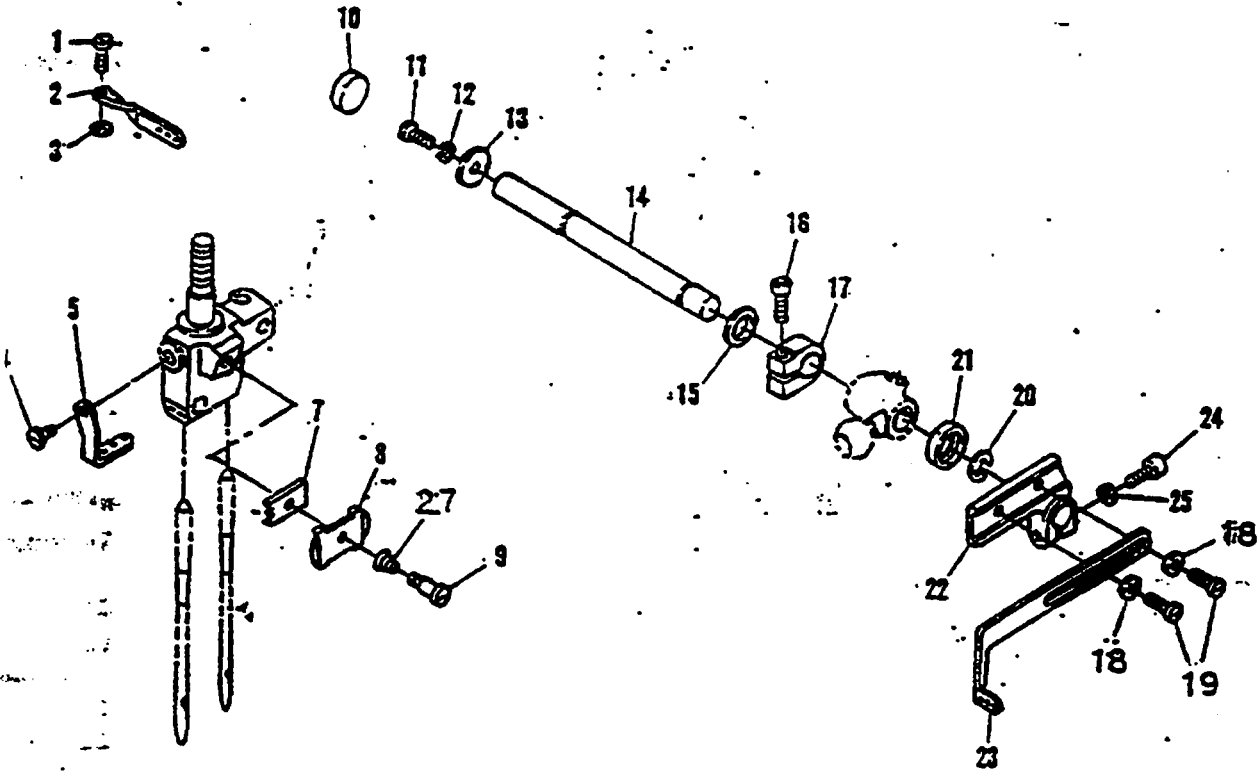


<u>NO.</u>	<u>PART NO.</u>	<u>PART NAME</u>	<u>QTY</u>
1	43-539	CAST-OFF SUPPORT BRACKET	1
2	43-540	SPRING	1
3	87-284	SCREW	5
4	87-284	SCREW	1
5	43-541	TAKE-UP SHIELD HOLDER	1
6	43-542	TAKE UP SHIELD	1
7	84-396	SCREW	1
8	02-118	SPRING WASHER	1
9	86-211	NUT	1
10	84-163	SCREW	2
11	47-131	THREAD EYELET(LEFT)	1
12	47-132	THREAD EYELET(RIGHT)	1
13	43-344	CAST-OFF PLATE	1
14	84-361	SCREW	1
15	75-468	BRACKET	1
16	84-574	SCREW	1
17	43-524	BRACKET	1
18	43-338	PIN	1
19	84-161	SCREW	1
20	49-504	TAKE-UP	1
21	84-718	SCREW	4
22	75-130	COLLAR	1
23	84-521	SCREW	5
24	71-740	TAKE-UP SHAFT	1
25	75-534	COLLAR	2
26	06-383	TIMING PULLY	1
27	58-405	TIMING BELT	1
28	43-519	THREAD EYELET	1

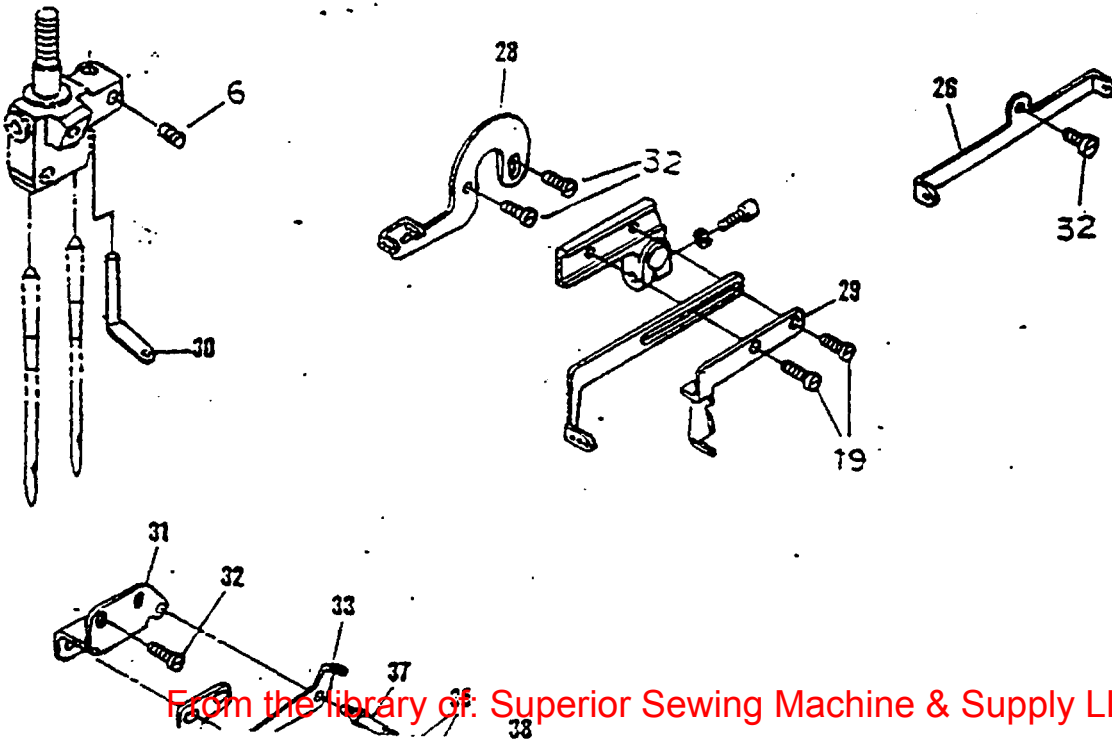


<u>NO.</u>	<u>PART NO.</u>	<u>PART NAME</u>	<u>QTY</u>
1	87-172	SCREW	5
2	91-888	BEARING	2
3	87-253	SCREW	4
4	87-254	SCREW	12
5	81-502	BEARING HOUSING	1
6	84-591	SCREW	1
7	73-501	NEEDLE BAR BRACKET	1
8	69-505		1
9	06-441	TIMING PULLY	1
10	66-501	COUNTER WEIGHT	1
11	87-101	SCREW	1
12	69-503	STUD SUPPORT	1
13	69-504	SLIDE BLOCK	1
14	85-113	SCREW	2
15	60-501	CONNECTING ROD SET	1
16	85-213	SCREW	1
17	63-501	CONNECTING ROD	1
18	61-501	ECCENTRIC	1
19	87-214	SCREW	2
20	71-508	UPPER SHAFT	1
21	87-259	SCREW	3
22	84-762	SCREW	2
23	69-507	MOTION	1
24	87-171	SCREW	1
25	61-502	DRIVING LEVER	1
26	94-508	OIL SEAL	2
27	75-468	WASHER	1
28	81-536	HOUSING	1
29	23-180	O-RING	1
30	69-007	HAND WHEEL	1
31	91-993	BALL BEARING	1
32	69-506	HAND-WHEEL ADAPTOR	1
33	71-510	UPPER SHAFT	1
34	91-993	BALL BEARING	1
35	75-270	UPPER SHAFT JOINT	1
36	87-242	SCREW	1
37	87-241	SCREW	1
38	11-151	NEEDLE BAR	1
39	60-989	BEARING ASS'Y	1
40	60-990	BEARING ASS'Y	1
41	60-991	BEARING ASS'Y	1

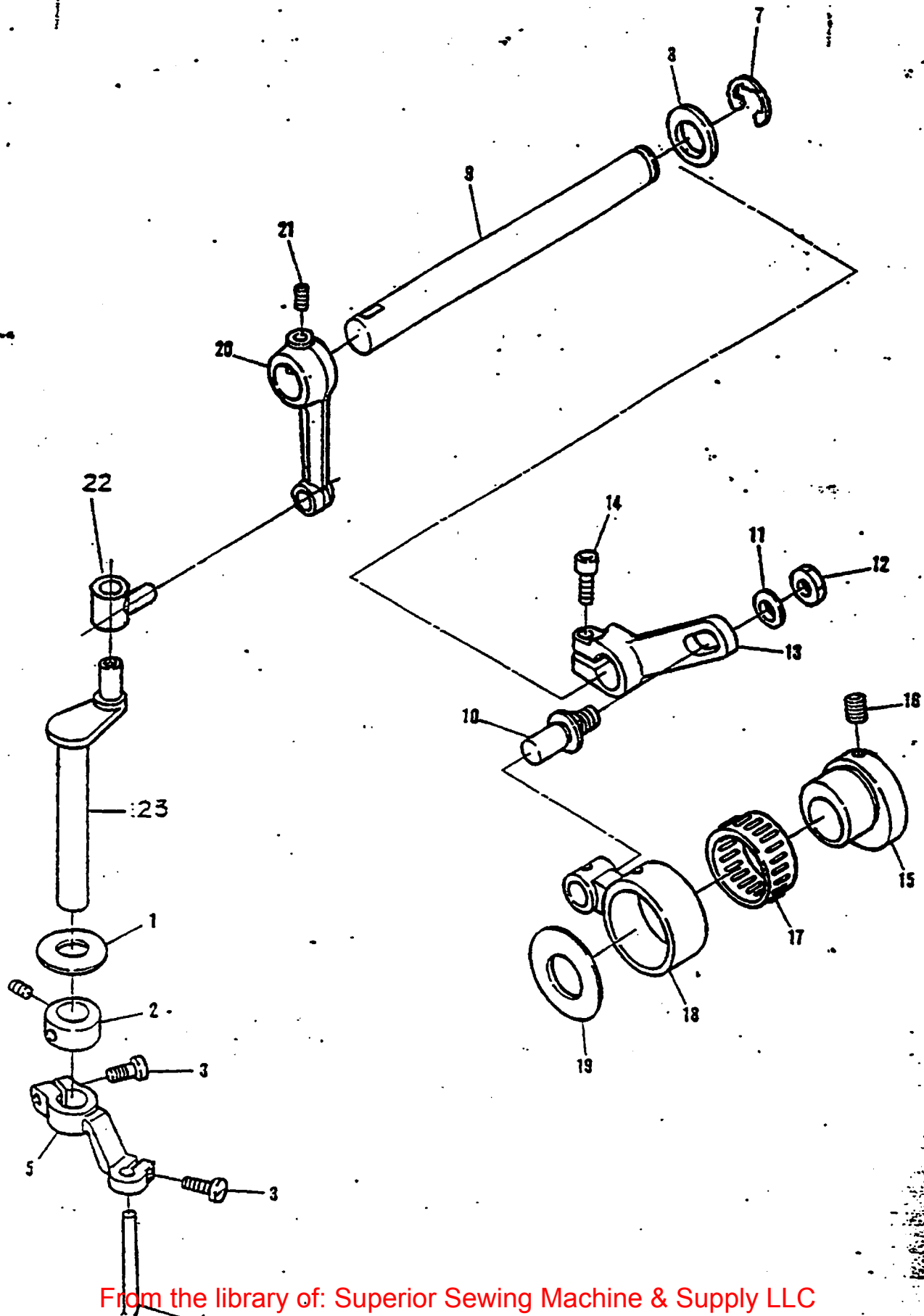
MX1100



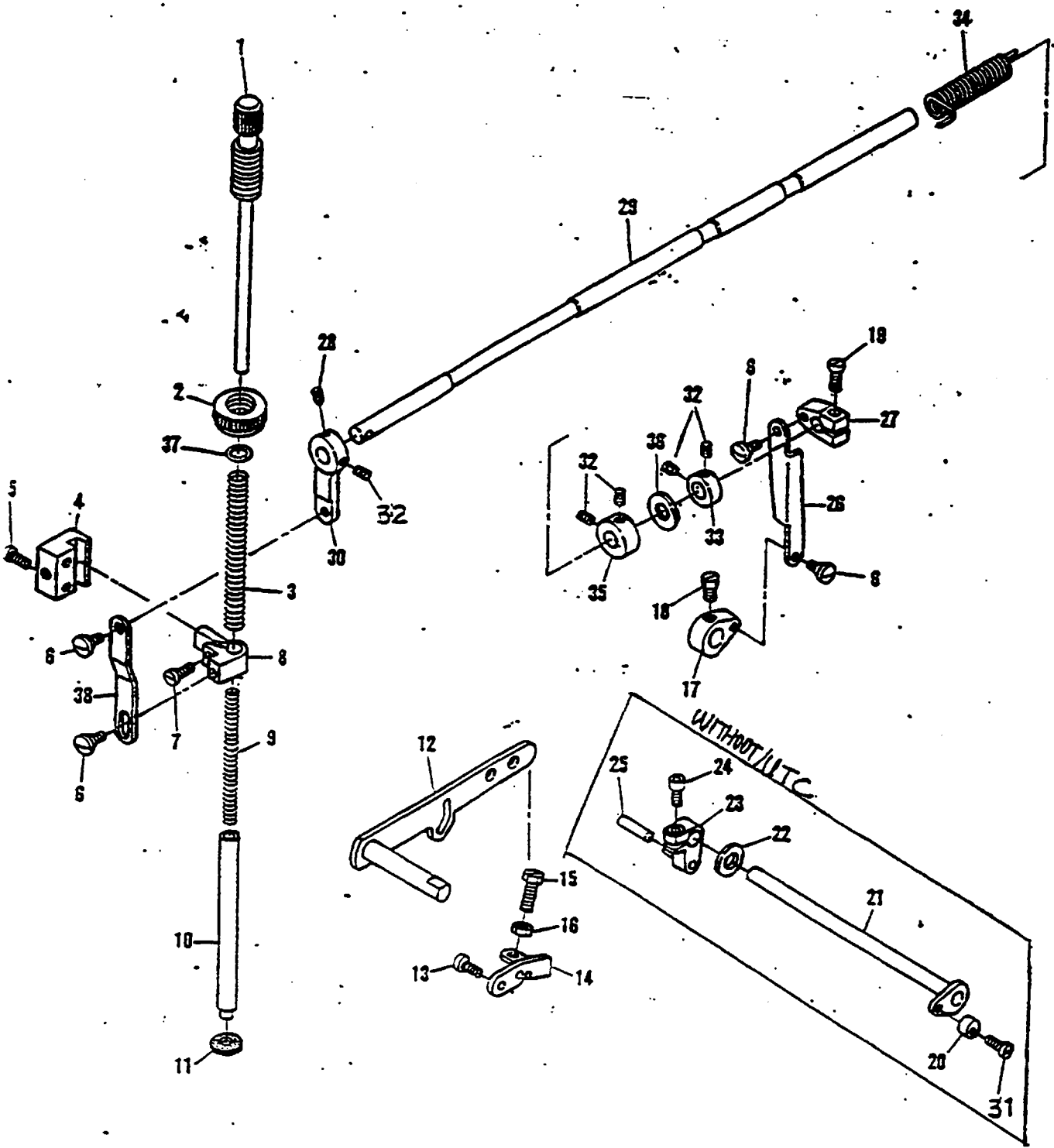
MX1000



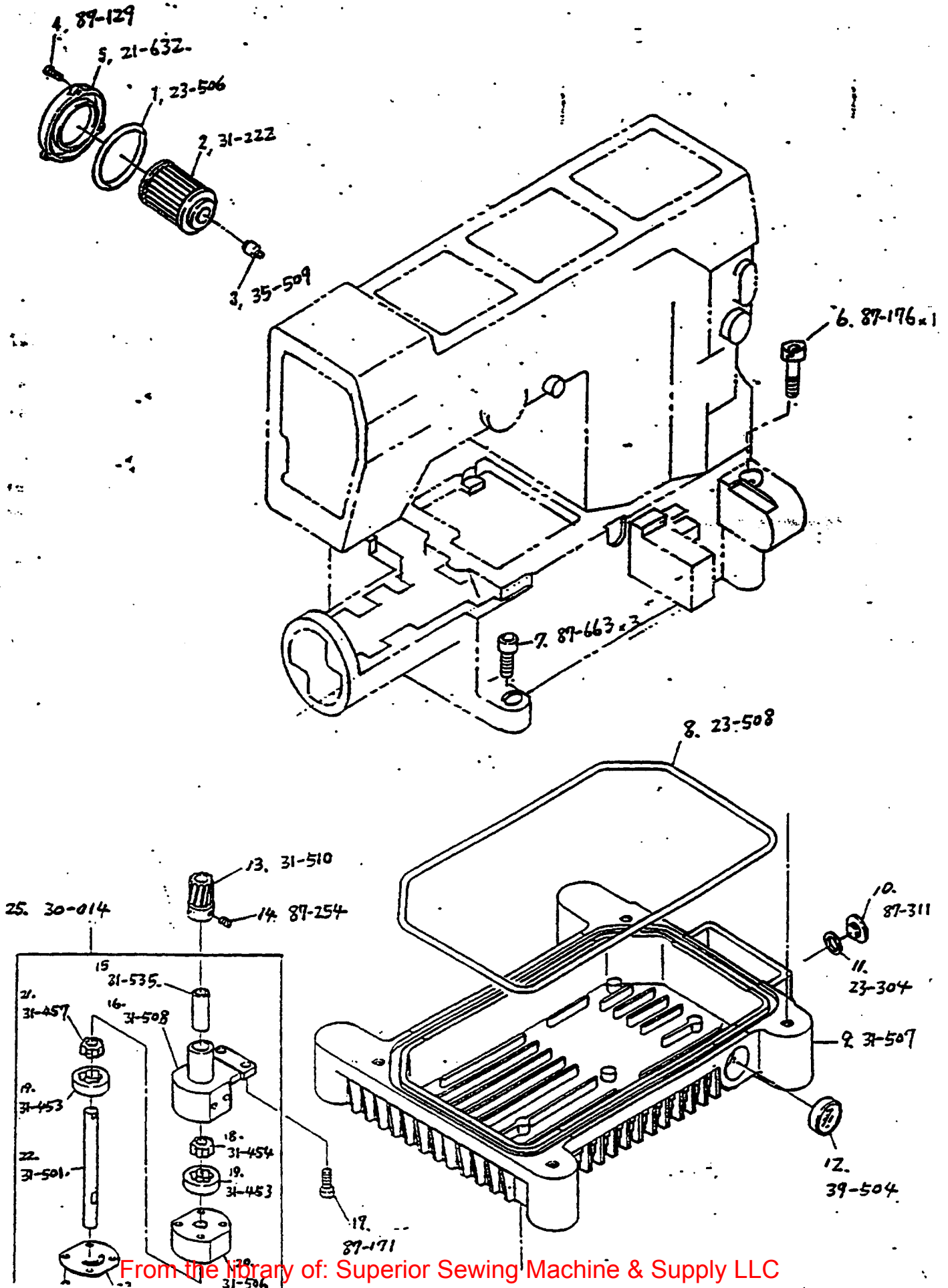
<u>NO.</u>	<u>PART NO.</u>	<u>PART NAME</u>	<u>QTY</u>
1	84-374	SCREW	1
2	45-523	NEEDLE BAR THREAD EYELET	1
3	75-440	WASHER	1
4	84-117	SCREW	1
5	45-524	NEEDLE CLAMP THREAD EYELET	1
6	87-104	SCREW	1
7	45-508	NIPPER PLATE	1
8	41-601	THREAD NIPPER	1
9	84-171	SCREW	1
10	94-504	SEAL PLUG	1
11	87-113	SCREW	1
12	75-410	WASHER	1
13	75-508	WASHER	1
14	71-514	SHAFT	1
15	75-504	WASHER	1
16	87-112	SCREW	1
17	75-505	COLLAR	1
18	75-468	SCREW	2
19	84-571	SCREW	2
20	93-222	STUD RING	1
21	94-802	OIL SEAL	1
22	67-502	BRACKET	1
23	45-505	THREAD TAKE-UP	1
24	87-224	SCREW	1
25	75-526	WASHER	1
26	45-515	THREAD GUIDE	1
27	79-533	SPRING	1
28	45-507	THREAD EYELET	1
29	45-502	THREAD TAKE UP	1
30	45-514	TOP COVER THREAD EYELET	1
31	04-503	COVERING THREAD GUIDE	1
32	87-272	SCREW	1
33	45-513	SUPPLEMENTARY THREAD EYELET	5
34	45-510	TOP COVER THREAD GUIDE	1
35	41-155	SUPPLEMENTARY TENSION DISK	2
36	41-154	NUT	1
37	41-504	TENSION POST	1
38	79-534	SUPPLEMENTARY TENSION SPRING	1



<u>NO.</u>	<u>PART NO.</u>	<u>PART NAME</u>	<u>QTY</u>
1	75-510	BUSHING RING	1
2	75-537	COLLAR	1
3	87-214	SCREW	2
4	19-505	SPREADER	1
5	04-501	SPREADER HOLDER	1
6	84-521	SCREW	2
7	93-202	STOP RING	1
8	75-509	WASHER	1
9	71-513	SHAFT	1
10	04-502	ADJUSTING LEVER PIN	1
11	75-452	WASHER	1
12	88-166	NUT	1
13	67-510	ADJUSTING LEVER	1
14	87-171	SCREW	1
15	61-510	ECCENTRIC	1
16	84-521	SCREW	2
17	91-416	ROLLER BEARING	1
18	63-500	CONNECTING ROD	1
19	75-502	RETAINING RING	1
20	67-511	SPREADER BAR	1
21	84-718	SCREW	2
22	04-508	PIN	1
23	04-507	CRANK SHAFT	1



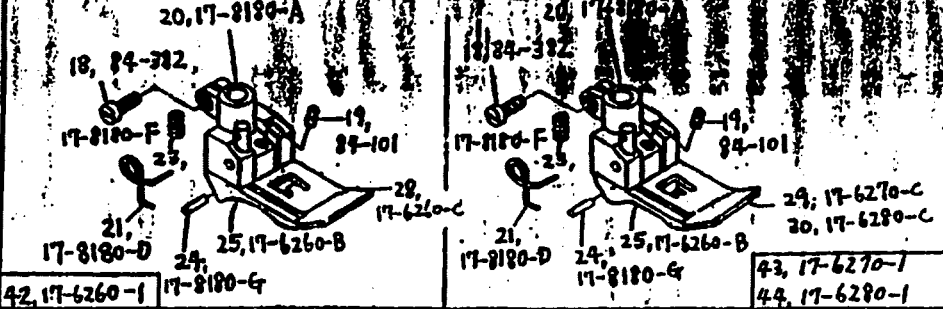
<u>NO.</u>	<u>PART NO.</u>	<u>PART NAME</u>	<u>QTY</u>
1	87-001	SCREW	1
2	88-002	LOCK NUT	1
3	79-518	PRESSER BAR SPRING	1
4	77-511	PRESSER BAR GUIDE	1
5	84-579	SCREW	2
6	84-581	SCREW	4
7	84-566	SCREW	1
8	77-510	PRESSER BAR CONNECTING BRACK	1
9	79-519	PRESSER BAR SPRING	1
10	71-515	PRESSER BAR	1
11	23-265	OIL PROTECTOR RING	1
12	77-505	LEVER	1
13	87-177	SCREW	2
14	77-509	BRACKET	1
15	84-813	SCREW	1
16	86-411	NUT	1
17	77-506	CRANK	1
18	87-255	SCREW	1
19	87-224	SCREW	2
20	75-503	COLLAR	1
21	71-507	TENSION RELEASE SHAFT	1
22	75-366	WASHER	1
23	77-504	FOOT LIFTER CRANK	1
24	87-213	BOLT	1
25	71-203	PIN	1
26	77-508	LINK	1
27	77-507	BELL CRANK	1
28	87-253	SCREW	1
29	71-517	FOOT LIFTER LEVER SHAFT	1
30	67-503	LEVER	1
31	87-214	SCREW	1
32	87-254	SCREW	5
33	75-001	COLLAR	1
34	79-515	SPRING	1
35	77-513	COLLAR	1
36	75-501	WASHER	1
37	23-195	O-RING	1
38	77-512	LINK	1



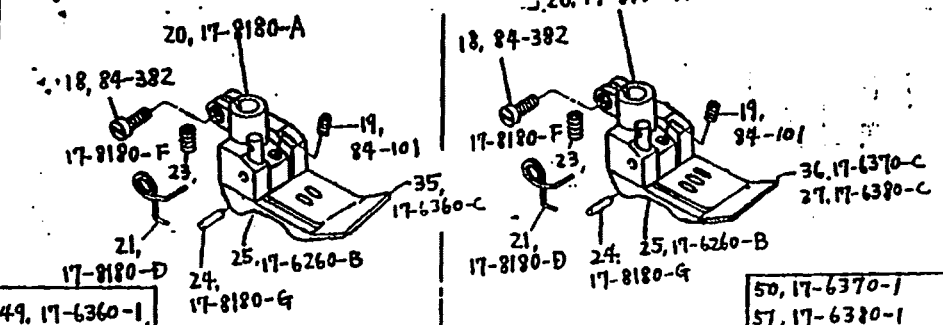
<u>NO.</u>	<u>PART NO.</u>	<u>PART NAME</u>	<u>QTY</u>
1	23-506	O-RING	1
2	31-222	FILTER	1
3	35-509	OIL-FILTER JOINT	1
4	87-129	SCREW	3
5	21-632	OIL-FILTER CAP	1
6	87-176	SCREW	1
7	87-663	SCREW	3
8	23-508	O-RING	1
9	31-507	OIL TANK	1
10	87-311	SCREW	1
11	23-304	GASKET	1
12	39-504	OIL GAUGE	1
13	31-510	PUMP GEAR	1
14	87-254	SCREW	1
15	81-535	BUSHING	1
16	31-508	PUMP HOUSING	1
17	87-171	SCREW	2
18	31-454	INNER ROTER	2
19	31-453	OUTER ROTER	1
20	31-506	PUMP SHAFT	2
21	31-457	INNER ROTER	1
22	31-501	PUMP SHAFT	1
23	31-504	PUMP REAR PLATE	1
24	87-120	SCREW	4
25	30-014	PUMP ASS'Y	1

<u>NO.</u>	<u>PART NO.</u>	<u>PART NAME</u>	<u>QTY</u>
1	35-499	NEEDLE JOINT	1
2	35-503	OIL RECEIVER	1
3	87-092	SCREW	6
4	31-502	PIPE JOINT	1
5	35-528	SCREW	6
6	23-514	PUMP TUBE JOINT SEAL	16
7	35-505	OIL TUBE JOINT	6
8	35-521	TUBE	2
9	39-139	PIPE SUPPORT	1
10	39-501	SUPPORT	1
11	35-515	TUBE CLAMP	1
12	35-517	TUBE	1
13	35-527	TUBE	1
14	35-534	TUBE	1
15	35-519	TUBE	1
16	35-535	OILING OUTLET	1
17	35-520	TUBE	1
18	35-506	OIL TUBE JOINT 2 WAYS	2
19	35-511	OIL TUBE	1
20	35-412	PIPE CLAMP	4
21	35-525	TUBE	1
22	31-314	TUBE JOINT	2
23	35-563	SCREW	1

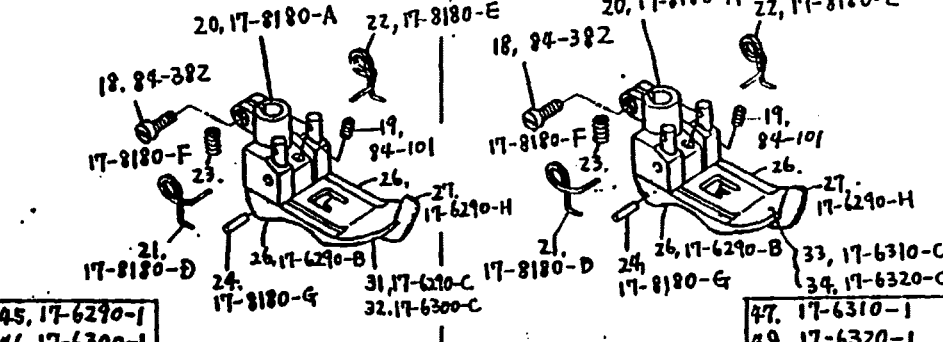
A-TYPE WITH TOP COVERING



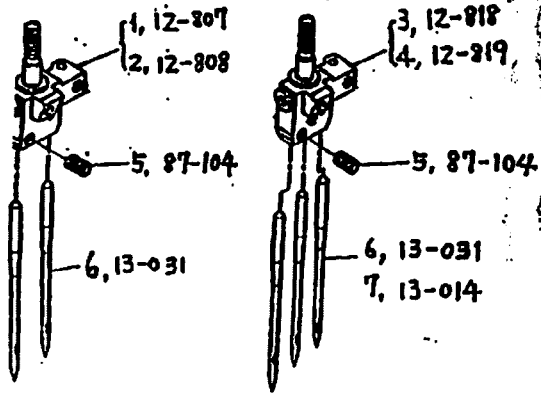
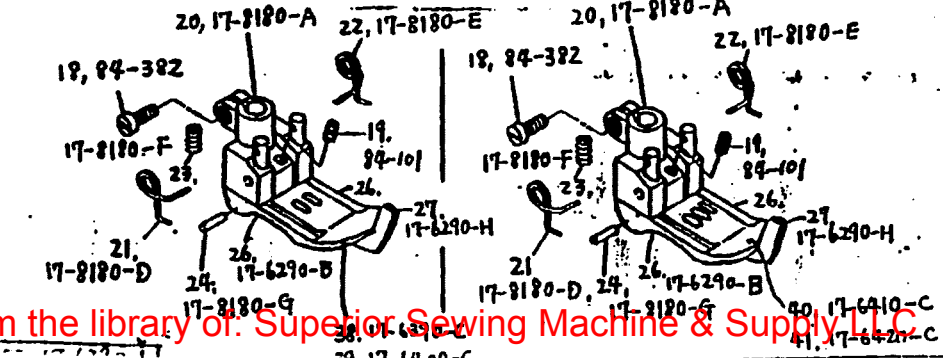
A-TYPE WITHOUT TOP COVERING



C-TYPE WITH TOP COVERING

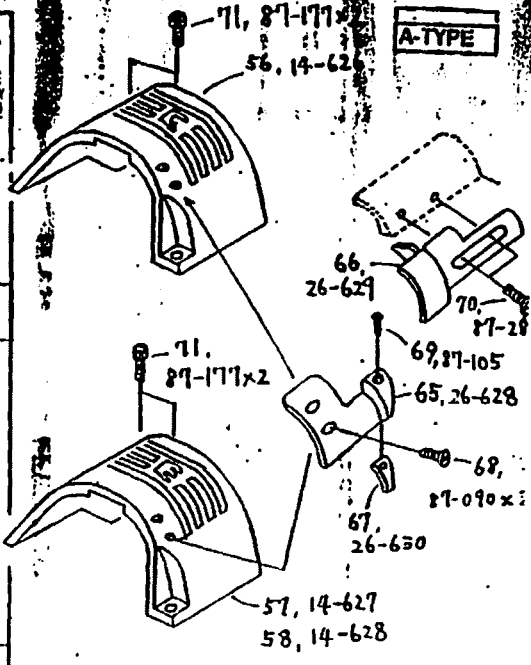
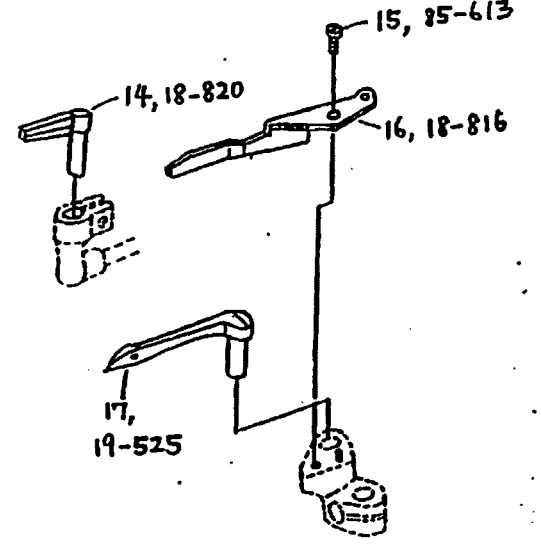
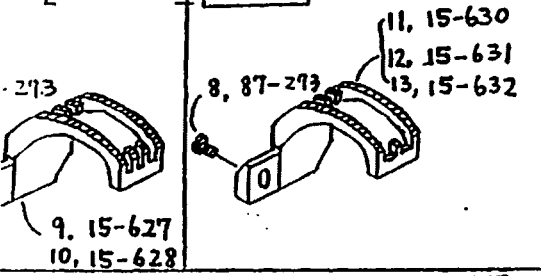


C-TYPE WITHOUT TOP COVERING



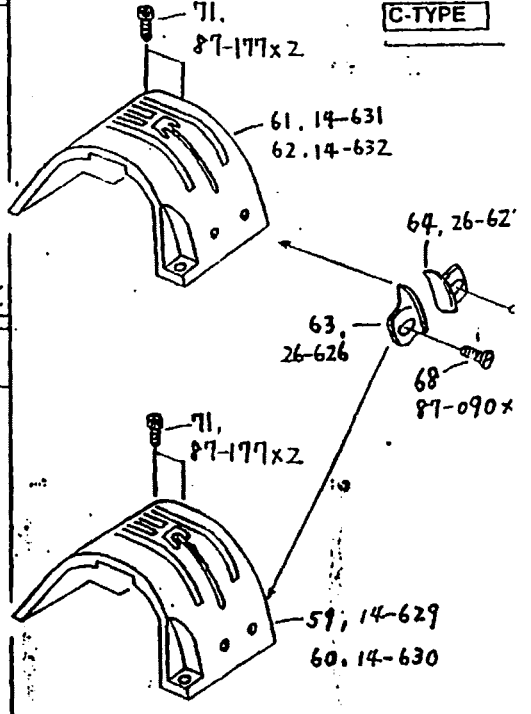
A-TYPE

C-TYPE



A-TYPE

C-TYPE



<u>NO.</u>	<u>PART NO.</u>	<u>PART NAME</u>	<u>QTY</u>
1	12-807	NEEDLE CLAMP 5/32 2 NEEDLES	2
2	12-808	NEEDLE CLAMP 3/16 2 NEEDLES	1
3	12-818	NEEDLE CLAMP 7/32 3 NEEDLES	1
4	12-819	NEEDLE CLAMP 1/4 3 NEEDLES	2
5	87-104	SCREW	1
6			1
7			1
8	87-273	SCREW	1
9	15-627	FEED DOG 5/32-7/32 A TYPE	1
10	15-628	FEED DOG 1/4 A TYPE	1
11	15-630	FEED DOG 5/32,3/16 C TYPE	1
12	15-631	FEED DOG 7/32 C TYPE	1
13	15-632	FEED DOG 1/4 C TYPE	1
14	18-820	NEEDLE GUARD	2
15	85-813	SCREW	1
16	18-816	NEEDLE GUIDE	1
17	19-525	LOOPER	2
18	84-382	SCREW	1
19	84-101	SCREW	1
20	17-8180-A		1
21	17-8180-D		2
22	17-8180-E		1
23	17-8180-F		1
24	17-8180-G	PIN	1
25	17-6260-B		1
26	17-6290-B		1
27	17-6290-H		1
28	17-6260-C		1
29	17-6270-C		1
30	17-6280-C		1
31	17-6290-C		1
32	17-6300-C		1
33	17-6310-C		1
34	17-6320-C		1
35	17-6360-C		1
36	17-6370-C		1
37	17-6380-C		1
38	17-6390-C		1
39	17-6400-C		1
40	17-6410-C		1
41	17-6420-C		1
42	17-6260-1	PRESSER FOOT ASS'Y A 5/32 2 NEEDL	1
43	17-6270-1	PRESSER FOOT ASS'Y A 7/32 3 NEEDLE	1
44	17-6280-1	PRESSER FOOT ASS'Y A 1/4 3 NEEDLES	1
45	17-6290-1	PRESSER FOOT ASS'Y C 5/32 2 NEEDLE	1
46	17-6300-1	PRESSER FOOT ASS'Y C 3/16 2 NEEDLE	1
47	17-6310-1	PRESSER FOOT ASS'Y C 7/32 NEEDLES	1
48	17-6320-1	PRESSER FOOT ASS'Y C 1/4 3 NEEDLES	1

<u>NO.</u>	<u>PART NO.</u>	<u>PART NAME</u>	<u>QTY</u>
53	17-6400-1	1
54	17-6410-1	1
55	17-6420-1	1
56	14-6260-0	NEEDLE PLATE A 5/32 2 NEEDLES	1
57	14-6270-0	NEEDLE PLATE A 7/32 3 NEEDLES	1
58	14-6280-0	NEEDLE PLATE A 1/4 3 NEEDLES	1
59	14-6290-0	NEEDLE PLATE C 5/32 2 NEEDLES	1
60	14-6300-0	NEEDLE PLATE C 3/16 2 NEEDLES	1
61	14-6310-0	NEEDLE PLATE C 7/32 3 NEEDLES	1
62	14-6320-0	NEEDLE PLATE C 1/4 3 NEEDLES	1
63	26-626	GUIDE LEFT FOR C	1
64	26-627	GUIDE RIGHT FOR C	1
65	26-628	GUIDE LEFT FOR A	1
66	26-629	GUIDE RIGHT FOR A	1
67	26-630	GUIDE FOR A THINNER FABRIC	1
68	87-090	SCREW	2
69	87-105	SCREW	1
70	87-284	SCREW	2
71	87-177	SCREW	2
72	13-028	NEEDLE UYx123GASIT #8	
73	13-029	NEEDLE UYx123GASIT #9	
74	13-030	NEEDLE UYx123GASIT #10	